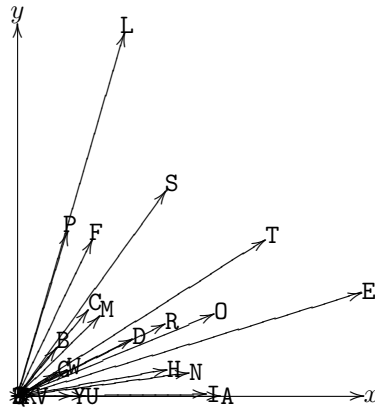
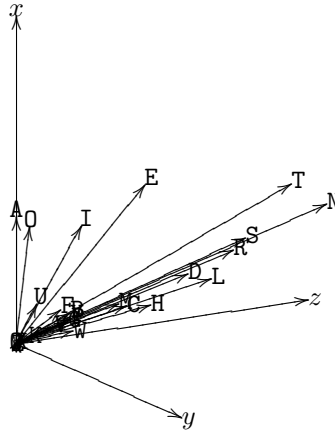


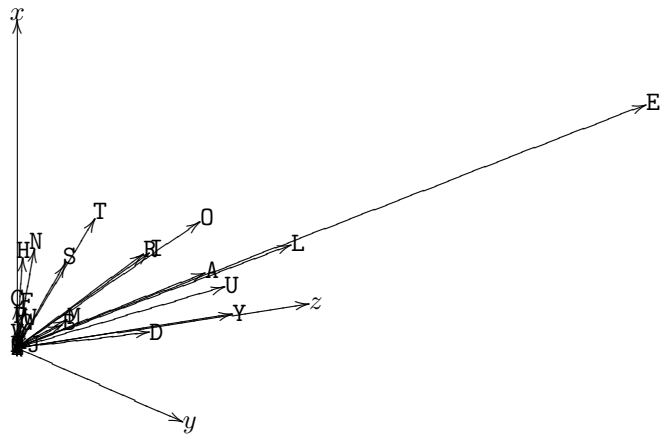
X	$(P(X), P(XX X))$	0.00001	0.00003	0.00010	0.00032
A	(0.077125, 0.000000)	A	I		N
B	(0.016756, 0.020905)	B			G, W
C	(0.028491, 0.034836)	C	M		
D	(0.044722, 0.022193)	D			H, M, R
E	(0.129086, 0.038896)	E			
F	(0.028900, 0.060606)	F		P	
G	(0.017106, 0.010238)	G	W		B, K, U, V, Y
H	(0.057449, 0.010162)	H		N	D, I, R
I	(0.071987, 0.000811)	I	A		H, N
J	(0.000934, 0.000000)	J, Q, X, Z	K	V	
K	(0.004670, 0.000000)	K, X	J, Q, V, Z		G
L	(0.040226, 0.136429)	L			
M	(0.032870, 0.031971)	M	C		D
N	(0.065565, 0.008904)	N		H	A, I
O	(0.074731, 0.031249)	O			
P	(0.019325, 0.063444)	P		F	
Q	(0.000758, 0.000000)	J, Q, X, Z	K	V	
R	(0.056749, 0.027777)	R			D, H
S	(0.056690, 0.078269)	S			
T	(0.093647, 0.059226)	T			
U	(0.027498, 0.000000)	U	Y		G, W
V	(0.008932, 0.000000)	V	K	J, Q, X, Z	G, W, Y
W	(0.020784, 0.011235)	W	G		B, U, V, Y
X	(0.001926, 0.000000)	J, K, Q, X, Z		V	
Y	(0.022711, 0.000000)	Y	U		G, V, W
Z	(0.000350, 0.000000)	J, Q, X, Z	K	V	



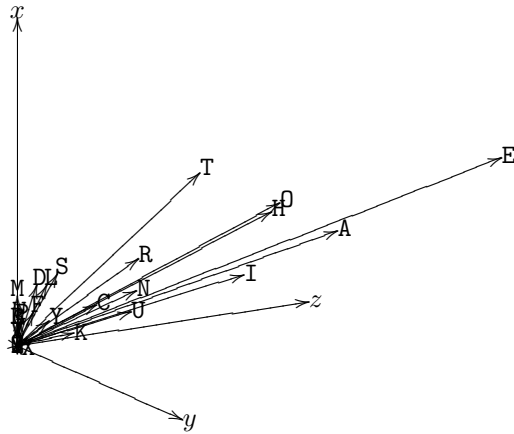
X	$(P(X), P(XA A), P(AX A))$	1ϵ	5ϵ	10ϵ	15ϵ
A	(0.07712, 0.00000, 0.00000)	A			
B	(0.01675, 0.00681, 0.03482)	B			V
C	(0.02849, 0.05071, 0.04542)	C			M
D	(0.04472, 0.05904, 0.07948)	D			
E	(0.12908, 0.14761, 0.00075)	E			
F	(0.02890, 0.03557, 0.01211)	F		Y	
G	(0.01710, 0.02649, 0.02195)	G, P		Y	
H	(0.05744, 0.14912, 0.00378)	H			
I	(0.07198, 0.02043, 0.03255)	I			
J	(0.00093, 0.00075, 0.00000)	J, Q, X, Z			K
K	(0.00467, 0.00378, 0.00984)	K		X	J, Q, Z
L	(0.04022, 0.06131, 0.09311)	L			
M	(0.03287, 0.05753, 0.03633)	M			C
N	(0.06556, 0.03633, 0.18092)	N			
O	(0.07473, 0.01589, 0.00000)	O			
P	(0.01932, 0.02725, 0.02346)	G, P		Y	
Q	(0.00075, 0.00000, 0.00000)	J, Q, Z	X		K
R	(0.05674, 0.06737, 0.10370)	R			
S	(0.05669, 0.04769, 0.12263)	S			
T	(0.09364, 0.07872, 0.13398)	T			
U	(0.02749, 0.00757, 0.01135)	U			
V	(0.00893, 0.00454, 0.02573)	V			B
W	(0.02078, 0.05828, 0.00681)	W			
X	(0.00192, 0.00302, 0.00151)	J, X	Q, Z	K	
Y	(0.02271, 0.03406, 0.01892)	Y		F, G, P	
Z	(0.00035, 0.00000, 0.00075)	J, Q, Z	X		K



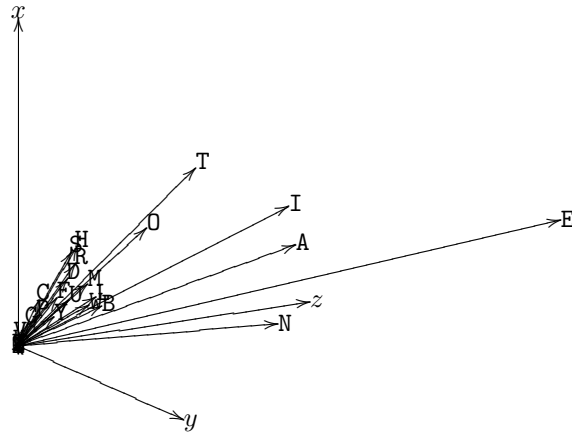
X	$(P(X), P(X B), P(BX B))$	1ϵ	5ϵ	10ϵ	15ϵ
A	(0.07712, 0.16027, 0.03135)	A			
B	(0.01675, 0.02090, 0.02090)	B			
C	(0.02849, 0.00000, 0.00000)	C		P	F
D	(0.04472, 0.15331, 0.00000)	D			
E	(0.12908, 0.13937, 0.32404)	E			
F	(0.02890, 0.01045, 0.00000)	F		W	C, G, P
G	(0.01710, 0.01045, 0.00000)	G	W	P	F
H	(0.05744, 0.00696, 0.00000)	H			
I	(0.07198, 0.08710, 0.03832)	I			
J	(0.00093, 0.00000, 0.01045)	J			K, Q, X, Z
K	(0.00467, 0.00348, 0.00000)	K	Q, V, X, Z		J
L	(0.04022, 0.01393, 0.17073)	L			
M	(0.03287, 0.06271, 0.00000)	M			
N	(0.06556, 0.02090, 0.00000)	N			
O	(0.07473, 0.05226, 0.09059)	O			
P	(0.01932, 0.00348, 0.00000)	P		C, G	F, V, W
Q	(0.00075, 0.00000, 0.00000)	Q, X, Z	K	V	J
R	(0.05674, 0.03832, 0.06271)	R			
S	(0.05669, 0.02787, 0.01742)	S			
T	(0.09364, 0.07317, 0.01045)	T			
U	(0.02749, 0.03135, 0.11846)	U			
V	(0.00893, 0.00000, 0.00000)	V	K, X	Q, Z	P
W	(0.02078, 0.01393, 0.00000)	W	G	F	P
X	(0.00192, 0.00000, 0.00000)	Q, X, Z	K, V		J
Y	(0.02271, 0.06968, 0.10104)	Y			
Z	(0.00035, 0.00000, 0.00000)	Q, X, Z	K	V	J



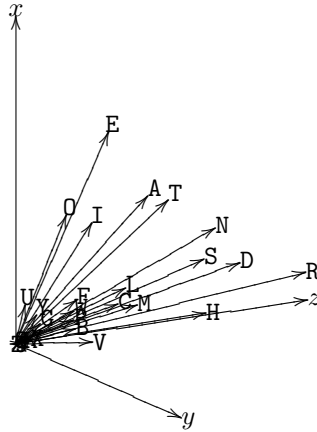
X	$(P(X), P(XC C), P(CX C))$	1ϵ	5ϵ	10ϵ	15ϵ
A	(0.07712, 0.12295, 0.13729)	A			
B	(0.01675, 0.00000, 0.00000)	B, G	P, W	V	
C	(0.02849, 0.03483, 0.03483)	C			
D	(0.04472, 0.02459, 0.00000)	D			
E	(0.12908, 0.20081, 0.19672)	E			
F	(0.02890, 0.02254, 0.00000)	F			Y
G	(0.01710, 0.00204, 0.00000)	B, G, P	W	V	
H	(0.05744, 0.00409, 0.16393)	H			
I	(0.07198, 0.16188, 0.05532)	I			
J	(0.00093, 0.00000, 0.00000)	J, Q, Z		V	
K	(0.00467, 0.00614, 0.03688)	K			
L	(0.04022, 0.01229, 0.01434)	L			
M	(0.03287, 0.00000, 0.00000)	M			
N	(0.06556, 0.13934, 0.00000)	N			
O	(0.07473, 0.04508, 0.14549)	O			
P	(0.01932, 0.00204, 0.00204)	G, P, W	B		V
Q	(0.00075, 0.00000, 0.00000)	J, Q, Z		V	
R	(0.05674, 0.04918, 0.05327)	R			
S	(0.05669, 0.04918, 0.00000)	S			
T	(0.09364, 0.02459, 0.10655)	T			
U	(0.02749, 0.05532, 0.04508)	U			
V	(0.00893, 0.00000, 0.00000)	V		B, G, J, Q, Z	P, W
W	(0.02078, 0.00204, 0.00000)	P, W	B, G		V
X	(0.00192, 0.01229, 0.00000)	X			
Y	(0.02271, 0.02868, 0.00819)	Y			F
Z	(0.00035, 0.00000, 0.00000)	J, Q, Z		V	



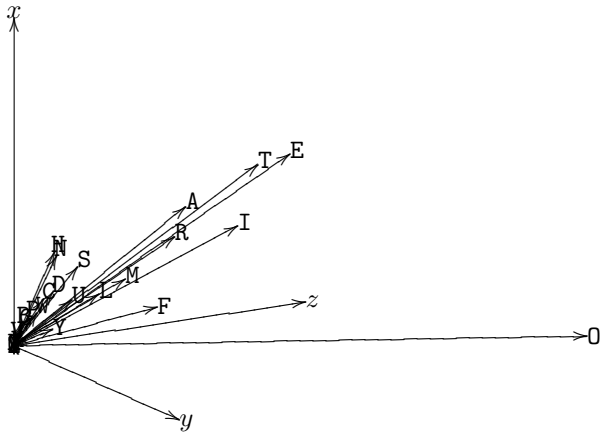
X	$(P(X), P(XD D), P(DX D))$	1ϵ	5ϵ	10ϵ	15ϵ
A	(0.07712, 0.13707, 0.10182)	A			
B	(0.01675, 0.00000, 0.05744)	B			
C	(0.02849, 0.00000, 0.01566)	C		P	F
D	(0.04472, 0.02219, 0.02219)	D			
E	(0.12908, 0.33420, 0.15665)	E			
F	(0.02890, 0.00261, 0.02741)	F		U	C
G	(0.01710, 0.00130, 0.00783)	G		P	V
H	(0.05744, 0.00652, 0.03655)	H		S	
I	(0.07198, 0.04569, 0.15013)	I			
J	(0.00093, 0.00000, 0.00130)	J, Q, X, Z	K	V	
K	(0.00467, 0.00130, 0.00000)	K, X	J, Q, V, Z		
L	(0.04022, 0.05483, 0.02219)	L			
M	(0.03287, 0.00261, 0.04699)	M			
N	(0.06556, 0.24412, 0.02872)	N			
O	(0.07473, 0.04960, 0.05744)	O			
P	(0.01932, 0.00000, 0.01566)	P		C, G	
Q	(0.00075, 0.00000, 0.00000)	J, Q, X, Z	K	V	
R	(0.05674, 0.03524, 0.01958)	R			
S	(0.05669, 0.01174, 0.03002)	S		H	
T	(0.09364, 0.01305, 0.10966)	T			
U	(0.02749, 0.00913, 0.03133)	U		F	
V	(0.00893, 0.00000, 0.00130)	V	K	J, Q, X, Z	G
W	(0.02078, 0.00652, 0.04569)	W			
X	(0.00192, 0.00000, 0.00000)	J, K, Q, X, Z		V	
Y	(0.02271, 0.02219, 0.01436)	Y			
Z	(0.00035, 0.00000, 0.00000)	J, Q, X, Z	K	V	



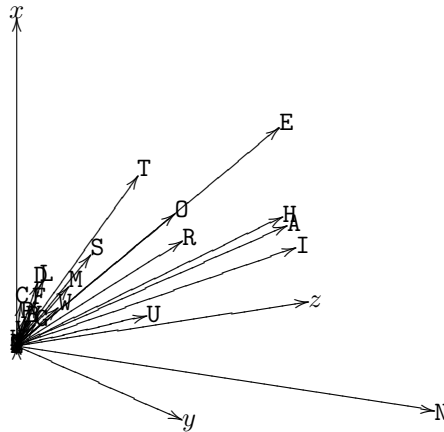
X	$(P(X), P(XE E), P(EX E))$	1ϵ	5ϵ	10ϵ	15ϵ
A	(0.07712, 0.00045, 0.08819)	A			
B	(0.01675, 0.04206, 0.01809)	B			
C	(0.02849, 0.04341, 0.04432)	C			
D	(0.04472, 0.05427, 0.11578)	D			
E	(0.12908, 0.03889, 0.03889)	E			
F	(0.02890, 0.02306, 0.02985)	F		W	
G	(0.01710, 0.01673, 0.01040)	G	Y		
H	(0.05744, 0.18046, 0.02125)	H			
I	(0.07198, 0.01763, 0.04161)	I			
J	(0.00093, 0.00407, 0.00135)	J, Z	Q	K	X
K	(0.00467, 0.01266, 0.00226)	K		J	Z
L	(0.04022, 0.05201, 0.04432)	L			
M	(0.03287, 0.06558, 0.04387)	M			
N	(0.06556, 0.04884, 0.10312)	N			
O	(0.07473, 0.00452, 0.03165)	O			
P	(0.01932, 0.03075, 0.02351)	P			
Q	(0.00075, 0.00000, 0.00361)	Q	J, Z	X	
R	(0.05674, 0.13071, 0.11352)	R			
S	(0.05669, 0.07553, 0.08050)	S			
T	(0.09364, 0.06919, 0.06151)	T			
U	(0.02749, 0.00633, 0.00361)	U			Y
V	(0.00893, 0.04929, 0.02487)	V			
W	(0.02078, 0.01763, 0.03120)	W		F	
X	(0.00192, 0.00090, 0.01311)	X		Q	J
Y	(0.02271, 0.01311, 0.00949)	Y	G		U
Z	(0.00035, 0.00180, 0.00000)	J, Z	Q		K



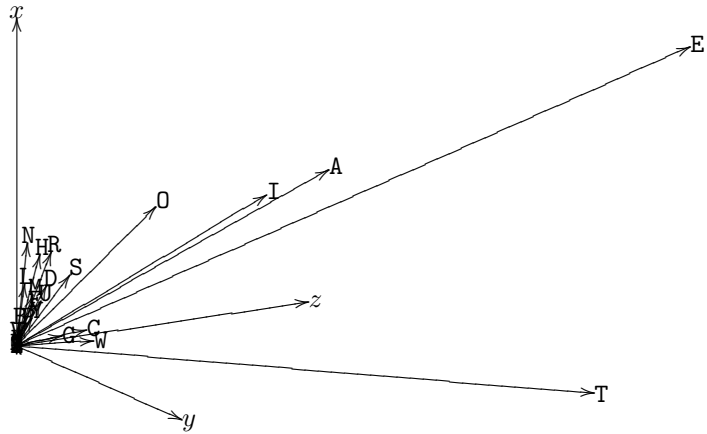
X	$(P(X), P(XF F), P(FX F))$	1€	5€	10€	15€
A	(0.07712, 0.03232, 0.09494)	A			
B	(0.01675, 0.00000, 0.00606)	B	G, P	V	
C	(0.02849, 0.00000, 0.02222)	C		W	
D	(0.04472, 0.04242, 0.00404)	D			
E	(0.12908, 0.13333, 0.10303)	E			
F	(0.02890, 0.06060, 0.06060)	F			
G	(0.01710, 0.00606, 0.00404)	G	B		P, V
H	(0.05744, 0.01010, 0.02222)	H			
I	(0.07198, 0.06868, 0.10707)	I			
J	(0.00093, 0.00000, 0.00000)	J, Q, X, Z	K	V	
K	(0.00467, 0.00404, 0.00000)	K	J, Q, V, X, Z		
L	(0.04022, 0.05252, 0.02828)	L			
M	(0.03287, 0.00808, 0.07070)	M			
N	(0.06556, 0.04444, 0.00404)	N			
O	(0.07473, 0.38383, 0.14747)	O			
P	(0.01932, 0.00000, 0.01212)	P	B, W		G
Q	(0.00075, 0.00000, 0.00000)	J, Q, X, Z	K	V	
R	(0.05674, 0.02020, 0.09494)	R			
S	(0.05669, 0.04242, 0.02020)	S			
T	(0.09364, 0.02828, 0.14343)	T			
U	(0.02749, 0.01212, 0.03434)	U			
V	(0.00893, 0.00000, 0.00202)	V	K	B, J, Q, X, Z	G
W	(0.02078, 0.00000, 0.01818)	W	P	C	
X	(0.00192, 0.00000, 0.00000)	J, Q, X, Z	K	V	
Y	(0.02271, 0.05050, 0.00000)	Y			
Z	(0.00035, 0.00000, 0.00000)	J, Q, X, Z	K	V	



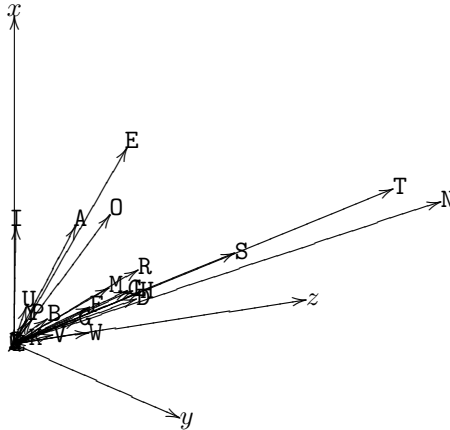
X	$(P(X), P(XG G), P(GX G))$	1€	5€	10€	15€
A	(0.07712, 0.09897, 0.11945)	A			
B	(0.01675, 0.00000, 0.01023)	B	P		G, V
C	(0.02849, 0.00000, 0.00341)	C		F, P	
D	(0.04472, 0.02047, 0.00341)	D			
E	(0.12908, 0.07849, 0.12627)	E			
F	(0.02890, 0.00682, 0.01023)	F		C	P
G	(0.01710, 0.01023, 0.01023)	G			B, P
H	(0.05744, 0.01706, 0.16382)	H			
I	(0.07198, 0.12627, 0.10921)	I			
J	(0.00093, 0.00000, 0.00000)	J, Q, X, Z	K	V	
K	(0.00467, 0.00000, 0.00000)	K, X	J, Q, V, Z		
L	(0.04022, 0.00341, 0.01706)	L			
M	(0.03287, 0.00000, 0.03754)	M			
N	(0.06556, 0.45051, 0.01023)	N			
O	(0.07473, 0.03412, 0.08532)	O			
P	(0.01932, 0.00000, 0.00682)	P	B	C	F, G, V
Q	(0.00075, 0.00000, 0.00000)	J, Q, X, Z	K	V	
R	(0.05674, 0.03071, 0.09215)	R			
S	(0.05669, 0.02389, 0.03754)	S			
T	(0.09364, 0.01023, 0.07508)	T			
U	(0.02749, 0.06825, 0.04778)	U			
V	(0.00893, 0.00000, 0.00341)	V	K	J, Q, X, Z	B, P
W	(0.02078, 0.00000, 0.03071)	W			
X	(0.00192, 0.00000, 0.00000)	J, K, Q, X, Z		V	
Y	(0.02271, 0.02047, 0.00000)	Y			
Z	(0.00035, 0.00000, 0.00000)	J, Q, X, Z	K	V	



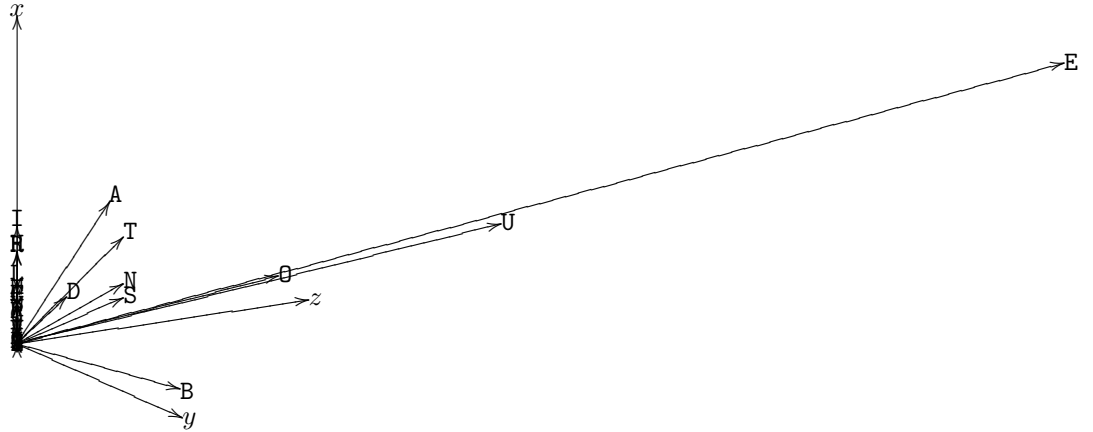
X	$(P(X), P(X H), P(H X))$	1ϵ	5ϵ	10ϵ	15ϵ
A	(0.07712, 0.00508, 0.20020)	A			
B	(0.01675, 0.00000, 0.00203)	B		V	P
C	(0.02849, 0.08130, 0.00203)	C		W	
D	(0.04472, 0.02845, 0.00508)	D			
E	(0.12908, 0.04776, 0.40548)	E			
F	(0.02890, 0.01117, 0.00508)	F	Y		M, P
G	(0.01710, 0.04878, 0.00508)	G			
H	(0.05744, 0.01016, 0.01016)	H			R
I	(0.07198, 0.01727, 0.15345)	I			
J	(0.00093, 0.00000, 0.00000)	J, Q, X, Z	K	V	
K	(0.00467, 0.00101, 0.00000)	K, X	J, Q, V, Z		
L	(0.04022, 0.00304, 0.00406)	L		M	
M	(0.03287, 0.00304, 0.01016)	M		L	F, U
N	(0.06556, 0.01117, 0.00101)	N			
O	(0.07473, 0.01321, 0.08536)	O			
P	(0.01932, 0.01117, 0.00101)	P	Y		B, F
Q	(0.00075, 0.00000, 0.00000)	J, Q, X, Z	K	V	
R	(0.05674, 0.00609, 0.02032)	R			H
S	(0.05669, 0.05487, 0.00609)	S			
T	(0.09364, 0.55284, 0.05284)	T			
U	(0.02749, 0.00000, 0.01829)	U			M
V	(0.00893, 0.00000, 0.00000)	V	K, X	B, J, Q, Z	
W	(0.02078, 0.08028, 0.00711)	W		C	
X	(0.00192, 0.00000, 0.00000)	J, K, Q, X, Z	V		
Y	(0.02271, 0.01321, 0.00508)	Y	F, P		
Z	(0.00035, 0.00000, 0.00000)	J, Q, X, Z	K	V	



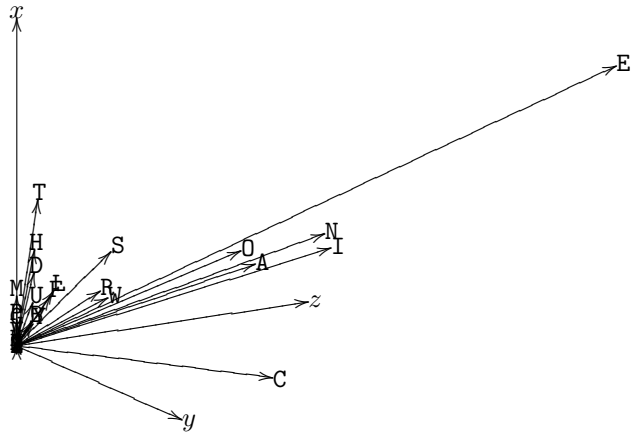
X	$(P(X), P(X I), P(I X))$	1€	5€	10€	15€
A	(0.07712, 0.03487, 0.02189)	A			
B	(0.01675, 0.00892, 0.02027)	B			P
C	(0.02849, 0.02189, 0.06407)	C			
D	(0.04472, 0.09326, 0.02838)	D			
E	(0.12908, 0.07461, 0.03163)	E			
F	(0.02890, 0.04298, 0.02757)	F			
G	(0.01710, 0.02595, 0.03000)	G			
H	(0.05744, 0.12246, 0.01378)	H			
I	(0.07198, 0.00081, 0.00081)	I			
J	(0.00093, 0.00000, 0.00000)	J, Q, X, Z			
K	(0.00467, 0.00811, 0.00892)	K			Q, X, Z
L	(0.04022, 0.06082, 0.04460)	L			
M	(0.03287, 0.02351, 0.05109)	M			
N	(0.06556, 0.06488, 0.23844)	N			
O	(0.07473, 0.01703, 0.05515)	O			
P	(0.01932, 0.01054, 0.00892)	P		U	B
Q	(0.00075, 0.00000, 0.00081)	J, Q, X, Z			K
R	(0.05674, 0.07542, 0.03974)	R			
S	(0.05669, 0.07380, 0.10218)	S			
T	(0.09364, 0.11759, 0.17761)	T			
U	(0.02749, 0.01054, 0.00324)	U		P, Y	
V	(0.00893, 0.02351, 0.01540)	V			
W	(0.02078, 0.06731, 0.01297)	W			
X	(0.00192, 0.00162, 0.00000)	J, Q, X, Z			K
Y	(0.02271, 0.01865, 0.00000)	Y		U	
Z	(0.00035, 0.00081, 0.00243)	J, Q, X, Z			K



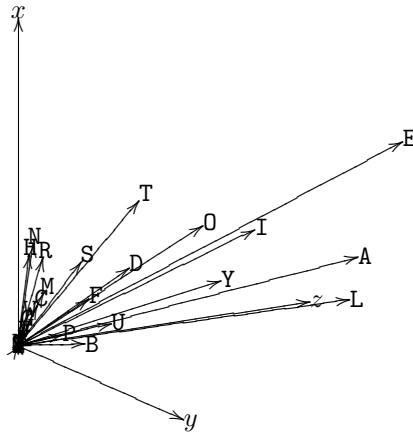
X	$(P(X), P(X J), P(JX J))$	1ϵ	5ϵ	10ϵ	15ϵ
A	(0.07712, 0.00000, 0.06250)	A			
B	(0.01675, 0.18749, 0.00000)	B			
C	(0.02849, 0.00000, 0.00000)	C, F	M, Y	P, W	G, L
D	(0.04472, 0.06250, 0.00000)	D			
E	(0.12908, 0.18749, 0.56249)	E			
F	(0.02890, 0.00000, 0.00000)	C, F	M, Y	P, W	G, L
G	(0.01710, 0.00000, 0.00000)	G, P	W, Y	V	C, F
H	(0.05744, 0.00000, 0.00000)	H, R			
I	(0.07198, 0.00000, 0.00000)	I			
J	(0.00093, 0.00000, 0.00000)	J, Q, X, Z	K	V	
K	(0.00467, 0.00000, 0.00000)	K, X	J, Q, V, Z		
L	(0.04022, 0.00000, 0.00000)	L		M	C, F
M	(0.03287, 0.00000, 0.00000)	M	C, F	L	W, Y
N	(0.06556, 0.12500, 0.00000)	N		S	
O	(0.07473, 0.18749, 0.06250)	O			
P	(0.01932, 0.00000, 0.00000)	G, P, W	Y	C, F	V
Q	(0.00075, 0.00000, 0.00000)	J, Q, X, Z	K	V	
R	(0.05674, 0.00000, 0.00000)	H, R			
S	(0.05669, 0.12500, 0.00000)	S		N	
T	(0.09364, 0.12500, 0.00000)	T			
U	(0.02749, 0.00000, 0.31249)	U			
V	(0.00893, 0.00000, 0.00000)	V	K, X	G, J, Q, Z	P, W
W	(0.02078, 0.00000, 0.00000)	P, W, Y	G	C, F	M, V
X	(0.00192, 0.00000, 0.00000)	J, K, Q, X, Z	V		
Y	(0.02271, 0.00000, 0.00000)	W, Y	C, F, G, P		M
Z	(0.00035, 0.00000, 0.00000)	J, Q, X, Z	K	V	



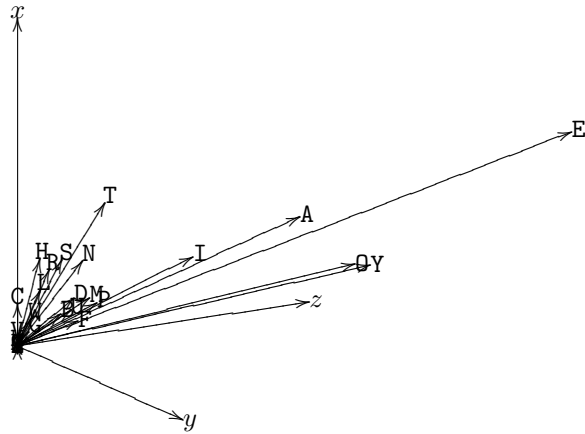
X	$(P(X), P(XK K), P(KX K))$	1ϵ	5ϵ	10ϵ	15ϵ
A	(0.07712, 0.16249, 0.06249)	A			
B	(0.01675, 0.00000, 0.01249)	B			U
C	(0.02849, 0.22499, 0.03749)	C			
D	(0.04472, 0.00000, 0.01249)	D			
E	(0.12908, 0.06249, 0.34999)	E			
F	(0.02890, 0.00000, 0.02499)	F			
G	(0.01710, 0.00000, 0.00000)	G, P		V	
H	(0.05744, 0.00000, 0.01249)	H			
I	(0.07198, 0.13749, 0.12499)	I			
J	(0.00093, 0.00000, 0.00000)	J, Q, X, Z	K	V	
K	(0.00467, 0.00000, 0.00000)	K, X	J, Q, V, Z		
L	(0.04022, 0.02499, 0.01249)	L			
M	(0.03287, 0.00000, 0.00000)	M			
N	(0.06556, 0.08749, 0.14999)	N			
O	(0.07473, 0.12499, 0.07499)	O			
P	(0.01932, 0.00000, 0.00000)	G, P			V
Q	(0.00075, 0.00000, 0.00000)	J, Q, X, Z	K	V	
R	(0.05674, 0.09999, 0.00000)	R			
S	(0.05669, 0.02499, 0.04999)	S			
T	(0.09364, 0.02499, 0.00000)	T			
U	(0.02749, 0.00000, 0.01249)	U			B
V	(0.00893, 0.00000, 0.00000)	V	K, X	G, J, Q, Z	P
W	(0.02078, 0.00000, 0.06249)	W			
X	(0.00192, 0.00000, 0.00000)	J, K, Q, X, Z	V		
Y	(0.02271, 0.02499, 0.00000)	Y			
Z	(0.00035, 0.00000, 0.00000)	J, Q, X, Z	K	V	



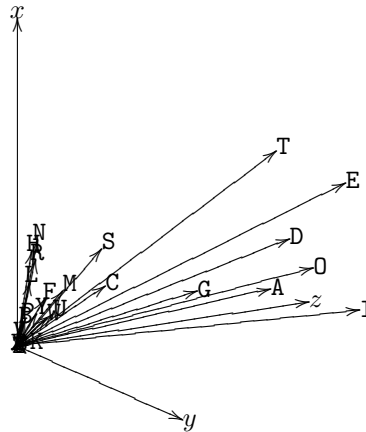
X	$(P(X), P(XL L), P(LX L))$	1€	5€	10€	15€
A	(0.07712, 0.17851, 0.11756)	A			
B	(0.01675, 0.07111, 0.00580)	B			
C	(0.02849, 0.01015, 0.00870)				M, W
D	(0.04472, 0.02467, 0.06095)	D			
E	(0.12908, 0.14223, 0.16690)	E			
F	(0.02890, 0.02031, 0.03773)	F			
G	(0.01710, 0.00725, 0.00145)	G		W	V
H	(0.05744, 0.00580, 0.00435)	H		R	N
I	(0.07198, 0.07982, 0.10885)	I			
J	(0.00093, 0.00000, 0.00000)	J, Q, X, Z	K	V	
K	(0.00467, 0.00145, 0.00290)	K	J, Q, V, X, Z		
L	(0.04022, 0.13642, 0.13642)	L			
M	(0.03287, 0.00435, 0.01596)	M			C
N	(0.06556, 0.01306, 0.00290)	N			H, R
O	(0.07473, 0.06531, 0.08417)	O			
P	(0.01932, 0.05370, 0.00145)	P			
Q	(0.00075, 0.00000, 0.00000)	J, Q, X, Z	K	V	
R	(0.05674, 0.01451, 0.00870)	R		H	N
S	(0.05669, 0.03338, 0.02467)	S			
T	(0.09364, 0.05515, 0.04934)	T			
U	(0.02749, 0.07256, 0.02177)	U			
V	(0.00893, 0.00000, 0.00435)	V	K	J, Q, X, Z	G
W	(0.02078, 0.00290, 0.00580)	W		G	C
X	(0.00192, 0.00000, 0.00000)	J, Q, X, Z	K	V	
Y	(0.02271, 0.00725, 0.12917)	Y			
Z	(0.00035, 0.00000, 0.00000)	J, Q, X, Z	K	V	



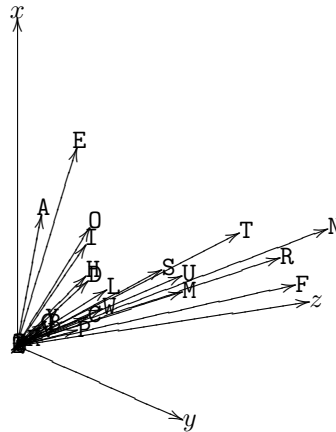
X	$(P(X), P(XM M), P(MX M))$	1ϵ	5ϵ	10ϵ	15ϵ
A	(0.07712, 0.08525, 0.13499)	A			
B	(0.01675, 0.00000, 0.03197)	B			
C	(0.02849, 0.00000, 0.00000)	C			
D	(0.04472, 0.06394, 0.00355)	D			
E	(0.12908, 0.17229, 0.25754)	E			
F	(0.02890, 0.06216, 0.00710)	F			
G	(0.01710, 0.01953, 0.00000)	G			
H	(0.05744, 0.01776, 0.00532)	H			
I	(0.07198, 0.11190, 0.05150)	I			
J	(0.00093, 0.00000, 0.00000)	J, Q, X, Z	K	V	
K	(0.00467, 0.00000, 0.00000)	K, X	J, Q, V, Z		
L	(0.04022, 0.01953, 0.00532)	L			
M	(0.03287, 0.03197, 0.03197)	M			
N	(0.06556, 0.06039, 0.01065)	N			
O	(0.07473, 0.18294, 0.11367)	O			
P	(0.01932, 0.00000, 0.05506)	P			
Q	(0.00075, 0.00000, 0.00000)	J, Q, X, Z	K	V	
R	(0.05674, 0.03907, 0.00000)	R			
S	(0.05669, 0.02309, 0.01776)	S			
T	(0.09364, 0.04973, 0.03019)	T			
U	(0.02749, 0.03197, 0.01953)	U			
V	(0.00893, 0.00000, 0.00000)	V	K, X	J, Q, Z	
W	(0.02078, 0.00710, 0.00710)	W			
X	(0.00192, 0.00000, 0.00000)	J, K, Q, X, Z	V		
Y	(0.02271, 0.02131, 0.21669)	Y			
Z	(0.00035, 0.00000, 0.00000)	J, Q, X, Z	K	V	



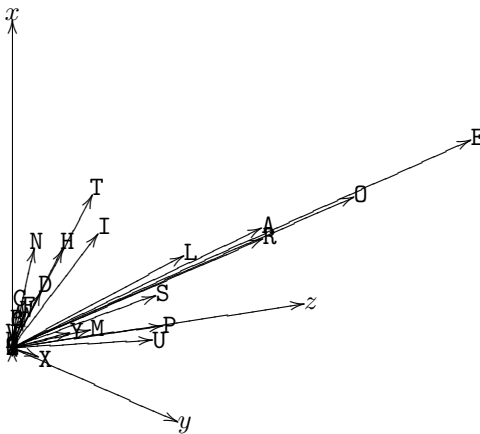
X	$(P(X), P(XN N), P(NX N))$	1ϵ	5ϵ	10ϵ	15ϵ
A	(0.07712, 0.21282, 0.04274)	A			
B	(0.01675, 0.00000, 0.00534)	B, P		V	Y
C	(0.02849, 0.00000, 0.06055)	C			
D	(0.04472, 0.01959, 0.16651)	D			
E	(0.12908, 0.20302, 0.09617)	E			
F	(0.02890, 0.00178, 0.01959)	F			M, Y
G	(0.01710, 0.00267, 0.11754)	G			
H	(0.05744, 0.00089, 0.00979)	H			N
I	(0.07198, 0.26179, 0.07123)	I			
J	(0.00093, 0.00000, 0.00178)	J, Q, X, Z		V	K
K	(0.00467, 0.01068, 0.00623)	K			J, Q
L	(0.04022, 0.00178, 0.00801)	L			
M	(0.03287, 0.00534, 0.03027)	M			F
N	(0.06556, 0.00890, 0.00890)	N			H
O	(0.07473, 0.17809, 0.08993)	O			
P	(0.01932, 0.00089, 0.00623)	B, P		Y	V
Q	(0.00075, 0.00000, 0.00267)	J, Q, X, Z		V	K
R	(0.05674, 0.01602, 0.00356)	R			
S	(0.05669, 0.01602, 0.04897)	S			
T	(0.09364, 0.00801, 0.16473)	T			
U	(0.02749, 0.03027, 0.00979)	U			
V	(0.00893, 0.00000, 0.00178)	V		B, J, Q, X, Z	P
W	(0.02078, 0.01424, 0.01513)	W		Y	
X	(0.00192, 0.00000, 0.00000)	J, Q, X, Z		V	
Y	(0.02271, 0.00712, 0.01157)	Y		P, W	B, F
Z	(0.00035, 0.00000, 0.00089)	J, Q, X, Z		V	



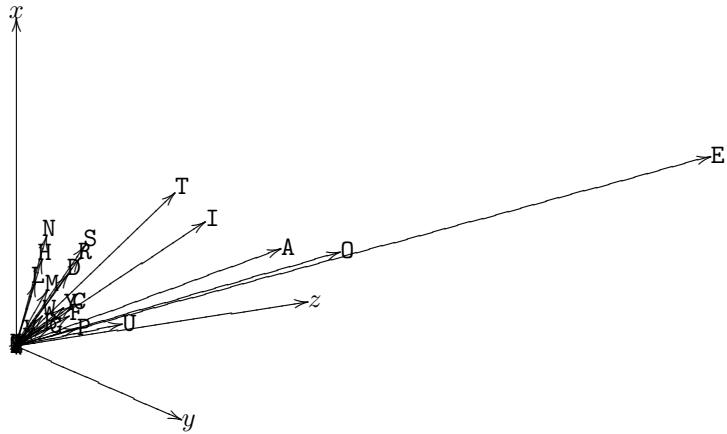
X	$(P(X), P(X 0), P(0X 0))$	1ϵ	5ϵ	10ϵ	15ϵ
A	(0.07712, 0.00000, 0.01640)	A			
B	(0.01675, 0.02031, 0.01171)	B	G		Y
C	(0.02849, 0.05546, 0.01718)	C			P
D	(0.04472, 0.03437, 0.02968)	D			
E	(0.12908, 0.05468, 0.00781)	E			
F	(0.02890, 0.05703, 0.14843)	F			
G	(0.01710, 0.01953, 0.00781)	G	B		Y
H	(0.05744, 0.06562, 0.01015)	H			
I	(0.07198, 0.05312, 0.01640)	I			
J	(0.00093, 0.00078, 0.00234)	J, Q, X, Z		K	
K	(0.00467, 0.00468, 0.00781)	K		J, Q, V, X, Z	
L	(0.04022, 0.04531, 0.03515)	L			
M	(0.03287, 0.04999, 0.08046)	M			
N	(0.06556, 0.07890, 0.15624)	N			
O	(0.07473, 0.03124, 0.03124)	O			
P	(0.01932, 0.04921, 0.01406)	P			C
Q	(0.00075, 0.00000, 0.00078)	J, Q, X, Z		K	
R	(0.05674, 0.09140, 0.11874)	R			
S	(0.05669, 0.07890, 0.05078)	S			
T	(0.09364, 0.15234, 0.05781)	T			
U	(0.02749, 0.00234, 0.10781)	U			
V	(0.00893, 0.00703, 0.01562)	V		K	
W	(0.02078, 0.01874, 0.04765)	W			
X	(0.00192, 0.00000, 0.00156)	J, Q, X, Z		K	
Y	(0.02271, 0.02890, 0.00546)	Y			B, G
Z	(0.00035, 0.00000, 0.00078)	J, Q, X, Z		K	



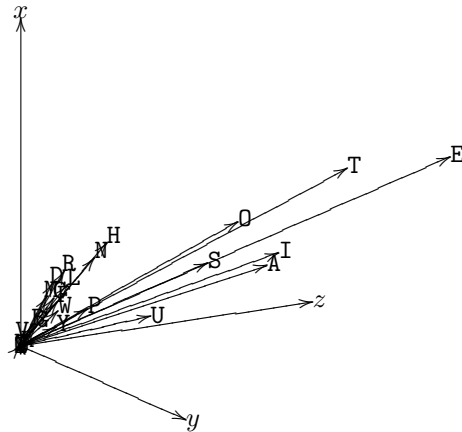
X	$(P(X), P(X P), P(PX P))$	1ϵ	5ϵ	10ϵ	15ϵ
A	(0.07712, 0.09365, 0.10876)	A			
B	(0.01675, 0.00000, 0.00302)	B	G	V, W	C
C	(0.02849, 0.00302, 0.00302)	C			B, G, W
D	(0.04472, 0.03625, 0.00000)	D			
E	(0.12908, 0.15709, 0.20543)	E			
F	(0.02890, 0.01812, 0.00000)	F			
G	(0.01710, 0.00604, 0.00000)	G	B		C, V, W
H	(0.05744, 0.00302, 0.03323)	H			
I	(0.07198, 0.03323, 0.03927)	I			
J	(0.00093, 0.00000, 0.00000)	J, Q, Z	K	V	
K	(0.00467, 0.00000, 0.00000)	K	J, Q, V, Z		
L	(0.04022, 0.00302, 0.11178)	L			
M	(0.03287, 0.09365, 0.00000)	M			
N	(0.06556, 0.02114, 0.00302)	N			
O	(0.07473, 0.05438, 0.19033)	O			
P	(0.01932, 0.06344, 0.06344)	P			
Q	(0.00075, 0.00000, 0.00000)	J, Q, Z	K	V	
R	(0.05674, 0.04833, 0.13595)	R			
S	(0.05669, 0.12386, 0.02416)	S			
T	(0.09364, 0.03021, 0.03625)	T			
U	(0.02749, 0.11480, 0.02719)	U			
V	(0.00893, 0.00000, 0.00000)	V	K	B, J, Q, Z	G
W	(0.02078, 0.00000, 0.00906)	W		B	C, G
X	(0.00192, 0.03625, 0.00000)	X			
Y	(0.02271, 0.06042, 0.00604)	Y			
Z	(0.00035, 0.00000, 0.00000)	J, Q, Z	K	V	



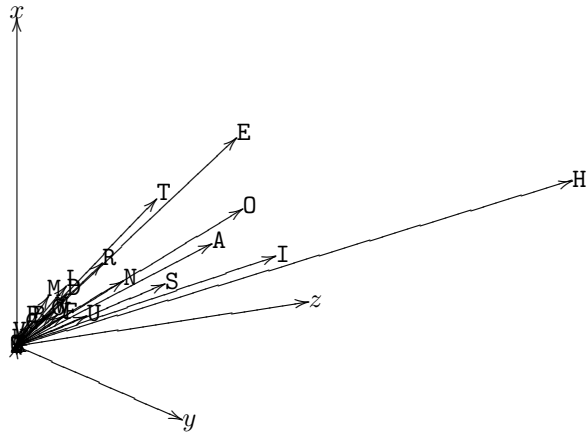
X	$(P(X), P(XR R), P(RX R))$	1ϵ	5ϵ	10ϵ	15ϵ
A	(0.07712, 0.14094, 0.09156)	A			
B	(0.01675, 0.01851, 0.01131)	B		G	
C	(0.02849, 0.02674, 0.02469)	C			
D	(0.04472, 0.01543, 0.02777)	D			
E	(0.12908, 0.25823, 0.29732)	E			
F	(0.02890, 0.04835, 0.01028)	F			P
G	(0.01710, 0.02777, 0.00925)	G		B	
H	(0.05744, 0.02057, 0.00617)	H			
I	(0.07198, 0.05041, 0.09567)	I			
J	(0.00093, 0.00000, 0.00000)	J, Q, X, Z		K	V
K	(0.00467, 0.00000, 0.00823)	K	V	J, Q, X, Z	
L	(0.04022, 0.00617, 0.01028)	L			
M	(0.03287, 0.00000, 0.02263)	M			
N	(0.06556, 0.00411, 0.01851)	N			
O	(0.07473, 0.15637, 0.12037)	O			
P	(0.01932, 0.04629, 0.01646)	P			F
Q	(0.00075, 0.00000, 0.00000)	J, Q, X, Z		K	
R	(0.05674, 0.02777, 0.02777)	R			
S	(0.05669, 0.00514, 0.04423)	S			
T	(0.09364, 0.05452, 0.07407)	T			
U	(0.02749, 0.07818, 0.02674)	U			
V	(0.00893, 0.00000, 0.00925)	V	K		J, X
W	(0.02078, 0.00617, 0.01748)	W			
X	(0.00192, 0.00000, 0.00000)	J, Q, X, Z		K	V
Y	(0.02271, 0.00823, 0.02983)	Y			
Z	(0.00035, 0.00000, 0.00000)	J, Q, X, Z		K	



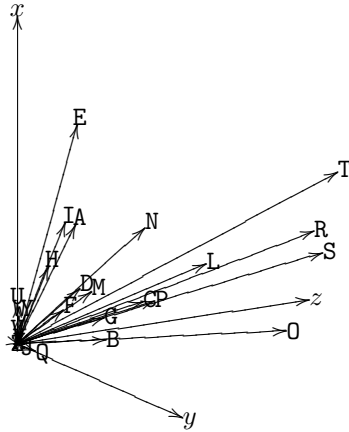
X	$(P(X), P(XS S), P(SX S))$	1ϵ	5ϵ	10ϵ	15ϵ
A	(0.07712, 0.16683, 0.06488)	A			
B	(0.01675, 0.00514, 0.00823)	B	G		V
C	(0.02849, 0.00000, 0.02471)	C		W	F
D	(0.04472, 0.02368, 0.00926)	D			
E	(0.12908, 0.18331, 0.17198)	E			
F	(0.02890, 0.01029, 0.02162)	F		M	C, W
G	(0.01710, 0.01132, 0.00720)	G	B		
H	(0.05744, 0.00617, 0.05561)	H			
I	(0.07198, 0.12976, 0.09371)	I			
J	(0.00093, 0.00000, 0.00205)	J, Q, X, Z	K	V	
K	(0.00467, 0.00411, 0.00205)	K	J, Q, V, X, Z		
L	(0.04022, 0.01750, 0.02368)	L			
M	(0.03287, 0.01029, 0.01338)	M		F	
N	(0.06556, 0.05664, 0.01853)	N			
O	(0.07473, 0.06694, 0.10401)	O			
P	(0.01932, 0.00823, 0.04222)	P			
Q	(0.00075, 0.00000, 0.00000)	J, Q, X, Z	K	V	
R	(0.05674, 0.04428, 0.00514)	R			
S	(0.05669, 0.07826, 0.07826)	S			
T	(0.09364, 0.06076, 0.17713)	T			
U	(0.02749, 0.06900, 0.04737)	U			
V	(0.00893, 0.00000, 0.00102)	V	K	J, Q, X, Z	B
W	(0.02078, 0.00411, 0.02574)	W		C	F
X	(0.00192, 0.00000, 0.00000)	J, Q, X, Z	K	V	
Y	(0.02271, 0.04325, 0.00205)	Y			
Z	(0.00035, 0.00000, 0.00000)	J, Q, X, Z	K	V	



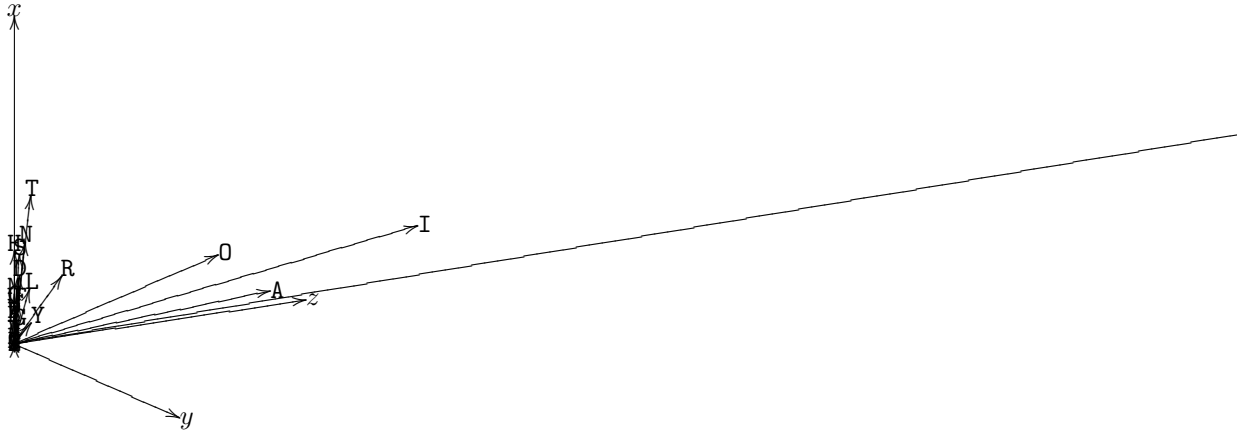
X	$(P(X), P(X T), P(TX T))$	1ϵ	5ϵ	10ϵ	15ϵ
A	(0.07712, 0.11034, 0.06483)	A			
B	(0.01675, 0.00187, 0.01309)	B		P	
C	(0.02849, 0.03241, 0.00748)	C			F
D	(0.04472, 0.05236, 0.00623)	D			
E	(0.12908, 0.08478, 0.09538)	E			
F	(0.02890, 0.04426, 0.00872)	F			C
G	(0.01710, 0.01371, 0.00187)	G		P	
H	(0.05744, 0.03241, 0.33915)	H			
I	(0.07198, 0.13653, 0.09039)	I			
J	(0.00093, 0.00000, 0.00124)	J, Q, Z	K, X	V	
K	(0.00467, 0.00000, 0.00124)	K	J, Q, V, X, Z		
L	(0.04022, 0.02119, 0.02369)	L			
M	(0.03287, 0.01059, 0.01745)	M			
N	(0.06556, 0.11533, 0.00561)	N			
O	(0.07473, 0.04613, 0.12157)	O			
P	(0.01932, 0.00748, 0.00623)	P		B, G	
Q	(0.00075, 0.00000, 0.00000)	J, Q, Z	K, X	V	
R	(0.05674, 0.04488, 0.03304)	R			
S	(0.05669, 0.10723, 0.03678)	S			
T	(0.09364, 0.05922, 0.05922)	T			
U	(0.02749, 0.04925, 0.02057)	U			
V	(0.00893, 0.00000, 0.00187)	V	K	J, Q, X, Z	
W	(0.02078, 0.00436, 0.02618)	W			
X	(0.00192, 0.00374, 0.00000)	X	J, K, Q, Z	V	
Y	(0.02271, 0.02119, 0.01807)	Y			
Z	(0.00035, 0.00000, 0.00000)	J, Q, Z	K, X	V	



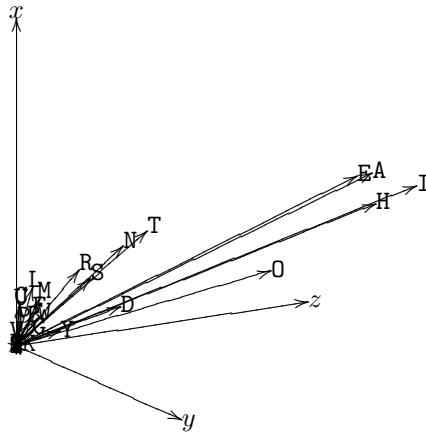
X	$(P(X), P(XU U), P(UX U))$	1ϵ	5ϵ	10ϵ	15ϵ
A	(0.07712, 0.03184, 0.02123)	A			
B	(0.01675, 0.07218, 0.01910)	B			
C	(0.02849, 0.04670, 0.05732)	C			
D	(0.04472, 0.05095, 0.01486)	D			
E	(0.12908, 0.01698, 0.02972)	E			
F	(0.02890, 0.03609, 0.01273)	F			
G	(0.01710, 0.02972, 0.04246)	G			
H	(0.05744, 0.03821, 0.00000)	H			
I	(0.07198, 0.00849, 0.02760)	I			
J	(0.00093, 0.01061, 0.00000)	J		K, X	Z
K	(0.00467, 0.00212, 0.00000)	K, X	V, Z	J	
L	(0.04022, 0.03184, 0.10615)	L			
M	(0.03287, 0.02335, 0.03821)	M			
N	(0.06556, 0.02335, 0.07218)	N			
O	(0.07473, 0.29299, 0.00636)	O			
P	(0.01932, 0.01910, 0.08067)	P			
Q	(0.00075, 0.02760, 0.00000)	Q			
R	(0.05674, 0.05520, 0.16135)	R			
S	(0.05669, 0.09766, 0.14225)	S			
T	(0.09364, 0.07006, 0.16772)	T			
U	(0.02749, 0.00000, 0.00000)	U	W		Y
V	(0.00893, 0.00000, 0.00000)	V	K	X, Z	W
W	(0.02078, 0.00212, 0.00000)	W	U	Y	V
X	(0.00192, 0.00212, 0.00000)	K, X, Z		J, V	
Y	(0.02271, 0.01061, 0.00000)	Y		W	U
Z	(0.00035, 0.00000, 0.00000)	X, Z	K	V	J



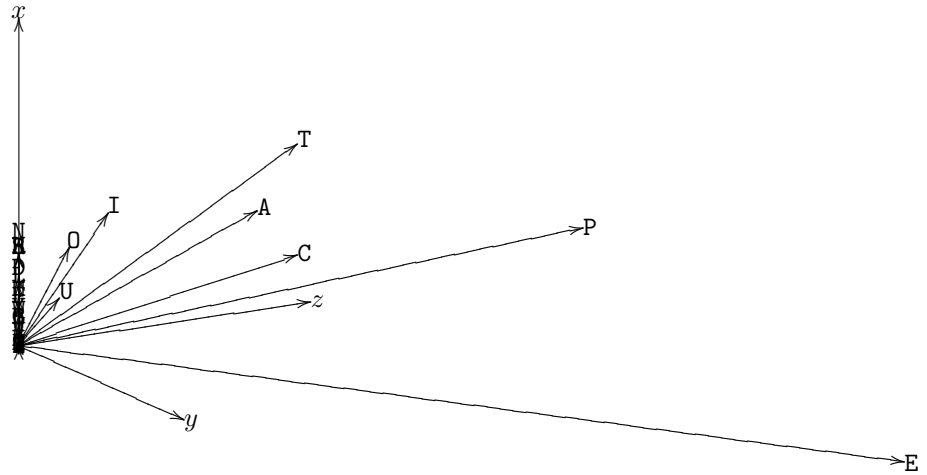
X	$(P(X), P(XV V), P(VX V))$	1ϵ	5ϵ	10ϵ	15ϵ
A	(0.07712, 0.22222, 0.03921)	A			
B	(0.01675, 0.00000, 0.00000)	B, P	G, W	V	C, K, U
C	(0.02849, 0.00000, 0.00000)	C, U	F, M	P, W	B
D	(0.04472, 0.00653, 0.00000)	D			S
E	(0.12908, 0.35947, 0.71241)	E			
F	(0.02890, 0.00653, 0.00000)	F	C, U	M	G, P, W
G	(0.01710, 0.00653, 0.00000)	G	B, P	W	F, V
H	(0.05744, 0.00000, 0.00000)	H	S		
I	(0.07198, 0.12418, 0.18954)	I			
J	(0.00093, 0.00000, 0.00000)	J, Q, X, Z	K	V	
K	(0.00467, 0.00000, 0.00000)	K, X	J, Q, V, Z		B
L	(0.04022, 0.01960, 0.00000)	L			
M	(0.03287, 0.00000, 0.00000)	M	C, U	F	W
N	(0.06556, 0.01307, 0.00000)	N			S
O	(0.07473, 0.13071, 0.05882)	O			
P	(0.01932, 0.00000, 0.00000)	B, P, W	G	C, U	F, V
Q	(0.00075, 0.00000, 0.00000)	J, Q, X, Z	K	V	
R	(0.05674, 0.05882, 0.00000)	R			
S	(0.05669, 0.00653, 0.00000)	S	H		D, N
T	(0.09364, 0.01960, 0.00000)	T			
U	(0.02749, 0.00000, 0.00000)	C, U	F, M, W	P	B
V	(0.00893, 0.00000, 0.00000)	V	K, X	B, J, Q, Z	G, P, W
W	(0.02078, 0.00000, 0.00000)	P, W	B, U	C, G	F, M, V
X	(0.00192, 0.00000, 0.00000)	J, K, Q, X, Z	V		
Y	(0.02271, 0.02614, 0.00000)	Y			
Z	(0.00035, 0.00000, 0.00000)	J, Q, X, Z	K	V	



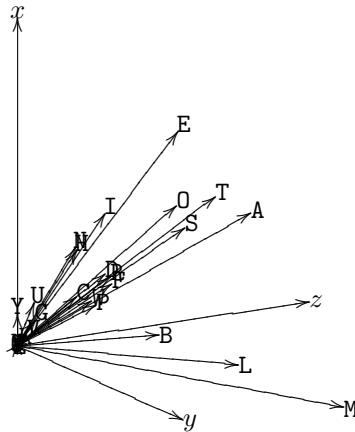
X	$(P(X), P(XW W), P(WX W))$	1ϵ	5ϵ	10ϵ	15ϵ
A	(0.07712, 0.02528, 0.21629)	A			
B	(0.01675, 0.00000, 0.01123)	B			W
C	(0.02849, 0.00000, 0.00280)	C, U			
D	(0.04472, 0.09831, 0.01404)	D			
E	(0.12908, 0.19382, 0.10955)	E			
F	(0.02890, 0.02528, 0.00000)	F			G
G	(0.01710, 0.02528, 0.00000)	G			F
H	(0.05744, 0.01966, 0.22191)	H			
I	(0.07198, 0.04494, 0.23314)	I			
J	(0.00093, 0.00000, 0.00000)	J, Q, X, Z		V	
K	(0.00467, 0.01404, 0.00000)	K			
L	(0.04022, 0.01123, 0.00561)	L		M	
M	(0.03287, 0.01123, 0.01123)	M		L	W
N	(0.06556, 0.04775, 0.04494)	N			
O	(0.07473, 0.17134, 0.06741)	O			
P	(0.01932, 0.00842, 0.00000)	P			U, W
Q	(0.00075, 0.00000, 0.00000)	J, Q, X, Z		V	
R	(0.05674, 0.04775, 0.01685)	R			
S	(0.05669, 0.07022, 0.01123)	S			
T	(0.09364, 0.11797, 0.01966)	T			
U	(0.02749, 0.00000, 0.00280)	C, U			P
V	(0.00893, 0.00000, 0.00000)	V	X	J, Q, Z	
W	(0.02078, 0.01123, 0.01123)	W			B, M, P
X	(0.00192, 0.00000, 0.00000)	J, Q, X, Z	V		
Y	(0.02271, 0.05617, 0.00000)	Y			
Z	(0.00035, 0.00000, 0.00000)	J, Q, X, Z		V	



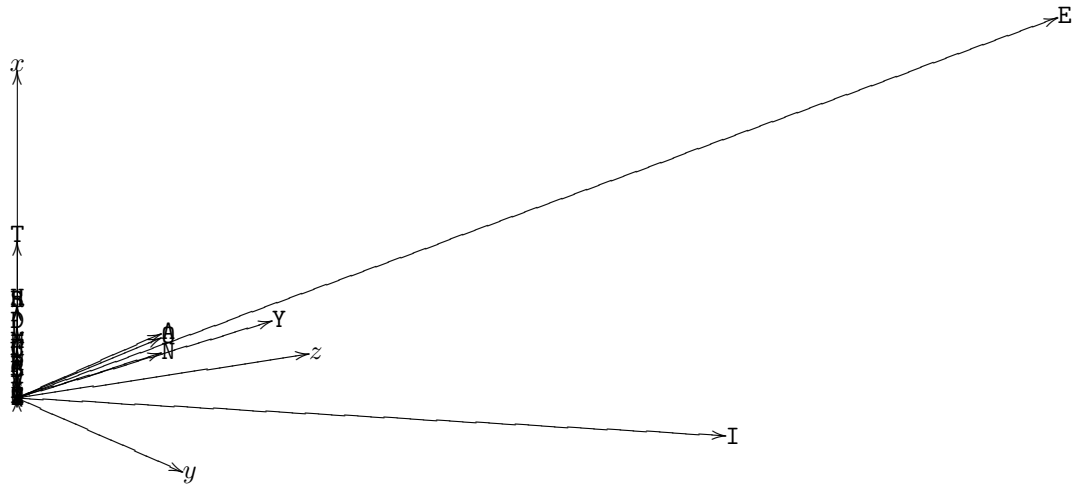
X	$(P(X), P(Xx x), P(xX x))$	1€	5€	10€	15€
A	(0.07712, 0.06060, 0.12121)	A			
B	(0.01675, 0.00000, 0.00000)	B, G	W, Y	V	F, K
C	(0.02849, 0.00000, 0.18181)	C			
D	(0.04472, 0.00000, 0.00000)	D	L		M, R, S
E	(0.12908, 0.87878, 0.06060)	E			
F	(0.02890, 0.00000, 0.00000)	F	M, Y	W	B, G, L
G	(0.01710, 0.00000, 0.00000)	B, G	W, Y	V	F
H	(0.05744, 0.00000, 0.00000)	H, R, S		N	
I	(0.07198, 0.00000, 0.06060)	I			
J	(0.00093, 0.00000, 0.00000)	J, Q, X, Z	K	V	
K	(0.00467, 0.00000, 0.00000)	K, X	J, Q, V, Z		B
L	(0.04022, 0.00000, 0.00000)	L	D	M	F
M	(0.03287, 0.00000, 0.00000)	M	F	L	D, W, Y
N	(0.06556, 0.00000, 0.00000)	N		H, R, S	
O	(0.07473, 0.06060, 0.00000)	O			
P	(0.01932, 0.00000, 0.36363)	P			
Q	(0.00075, 0.00000, 0.00000)	J, Q, X, Z	K	V	
R	(0.05674, 0.00000, 0.00000)	H, R, S		N	D
S	(0.05669, 0.00000, 0.00000)	H, R, S		N	D
T	(0.09364, 0.00000, 0.18181)	T			
U	(0.02749, 0.00000, 0.03030)	U			
V	(0.00893, 0.00000, 0.00000)	V	K, X	B, G, J, Q, Z	W
W	(0.02078, 0.00000, 0.00000)	W, Y	B, G	F	M, V
X	(0.00192, 0.00000, 0.00000)	J, K, Q, X, Z	V		
Y	(0.02271, 0.00000, 0.00000)	W, Y	B, F, G		M
Z	(0.00035, 0.00000, 0.00000)	J, Q, X, Z	K	V	



X	$(P(X), P(XY Y), P(YX Y))$	1€	5€	10€	15€
A	(0.07712, 0.06426, 0.11568)	A			
B	(0.01675, 0.07455, 0.05141)	B			
C	(0.02849, 0.01028, 0.03598)	C			
D	(0.04472, 0.02827, 0.04370)	D			
E	(0.12908, 0.05398, 0.07455)	E			
F	(0.02890, 0.00000, 0.06426)	F			
G	(0.01710, 0.00000, 0.01542)	G		V	U
H	(0.05744, 0.01285, 0.03341)	H			
I	(0.07198, 0.00000, 0.05912)	I			
J	(0.00093, 0.00000, 0.00000)	J, Q, X, Z	K		
K	(0.00467, 0.00000, 0.00514)	K	J, Q, V, X	Z	
L	(0.04022, 0.22879, 0.01285)	L			
M	(0.03287, 0.31362, 0.03084)	M			
N	(0.06556, 0.03341, 0.02056)	N			
O	(0.07473, 0.01799, 0.09511)	O			
P	(0.01932, 0.00514, 0.05141)	P	W		
Q	(0.00075, 0.00000, 0.00000)	J, Q, X, Z	K		
R	(0.05674, 0.07455, 0.02056)	R			
S	(0.05669, 0.00514, 0.10796)	S			
T	(0.09364, 0.07455, 0.08740)	T			
U	(0.02749, 0.00000, 0.01285)	U			G
V	(0.00893, 0.00000, 0.01028)	V	K	G	
W	(0.02078, 0.00000, 0.05141)	W	P		
X	(0.00192, 0.00000, 0.00000)	J, Q, X, Z	K		
Y	(0.02271, 0.00000, 0.00000)	Y			
Z	(0.00035, 0.00257, 0.00000)	J, Q, X, Z		K	



X	$(P(X), P(XZ Z), P(ZX Z))$	1ϵ	5ϵ	10ϵ	15ϵ
A	(0.07712, 0.16666, 0.00000)	A, O			N
B	(0.01675, 0.00000, 0.00000)	B, G, P	W	V	C, F, K, U
C	(0.02849, 0.00000, 0.00000)	C, F, U	M	P, W	B, G, L
D	(0.04472, 0.00000, 0.00000)	D	L		M, R, S
E	(0.12908, 0.00000, 0.66666)	E			
F	(0.02890, 0.00000, 0.00000)	C, F, U	M	P, W	B, G, L
G	(0.01710, 0.00000, 0.00000)	B, G, P	W	V	C, F, U
H	(0.05744, 0.00000, 0.00000)	H, R, S			
I	(0.07198, 0.50000, 0.16666)	I			
J	(0.00093, 0.00000, 0.00000)	J, Q, X, Z	K	V	
K	(0.00467, 0.00000, 0.00000)	K, X	J, Q, V, Z		B
L	(0.04022, 0.00000, 0.00000)	L	D	M	C, F
M	(0.03287, 0.00000, 0.00000)	M	C, F, U	L	D, W
N	(0.06556, 0.16666, 0.00000)	N		O	A
O	(0.07473, 0.16666, 0.00000)	A, O		N	
P	(0.01932, 0.00000, 0.00000)	B, G, P, W		C, F, U	V
Q	(0.00075, 0.00000, 0.00000)	J, Q, X, Z	K	V	
R	(0.05674, 0.00000, 0.00000)	H, R, S			D
S	(0.05669, 0.00000, 0.00000)	H, R, S			D
T	(0.09364, 0.00000, 0.00000)	T			
U	(0.02749, 0.00000, 0.00000)	C, F, U	M, W	P	B, G
V	(0.00893, 0.00000, 0.00000)	V	K, X	B, G, J, Q, Z	P, W
W	(0.02078, 0.00000, 0.00000)	P, W	B, G, U	C, F	M, V
X	(0.00192, 0.00000, 0.00000)	J, K, Q, X, Z	V		
Y	(0.02271, 0.00000, 0.16666)	Y			
Z	(0.00035, 0.00000, 0.00000)	J, Q, X, Z	K	V	



XY	$(P(X), P(Y), P(XY), P(XY X), P(XY Y), P(YX Y), P(YX X))$
BE	(0.016756, 0.129086, 0.005429, 0.324041, 0.042062, 0.139372, 0.018091)
ED	(0.129086, 0.044722, 0.014946, 0.115784, 0.334203, 0.054274, 0.156657)
EQ	(0.129086, 0.000758, 0.000467, 0.003618, 0.615384, 0.000000, 0.000000)
EX	(0.129086, 0.001926, 0.001693, 0.013116, 0.878787, 0.000904, 0.060606)
HE	(0.057449, 0.129086, 0.023295, 0.405487, 0.180461, 0.047764, 0.021257)
IN	(0.071987, 0.065565, 0.017164, 0.238442, 0.261798, 0.064882, 0.071237)
IZ	(0.071987, 0.000350, 0.000175, 0.002433, 0.500000, 0.000811, 0.166666)
JE	(0.000934, 0.129086, 0.000525, 0.562500, 0.004070, 0.187500, 0.001356)
JU	(0.000934, 0.027498, 0.000291, 0.312500, 0.010615, 0.000000, 0.000000)
KE	(0.004670, 0.129086, 0.001634, 0.350000, 0.012663, 0.062500, 0.002261)
MY	(0.032870, 0.022711, 0.007122, 0.216696, 0.313624, 0.021314, 0.030848)
NG	(0.065565, 0.017106, 0.007706, 0.117542, 0.450511, 0.002671, 0.010238)
OF	(0.074731, 0.028900, 0.011092, 0.148437, 0.383838, 0.057031, 0.147474)
OU	(0.074731, 0.027498, 0.008056, 0.107812, 0.292993, 0.002343, 0.006369)
QU	(0.000758, 0.027498, 0.000758, 10000000, 0.027600, 0.000000, 0.000000)
RE	(0.056749, 0.129086, 0.016872, 0.297325, 0.130710, 0.258230, 0.113523)
TH	(0.093647, 0.057449, 0.031760, 0.339152, 0.552845, 0.032418, 0.052845)
VE	(0.008932, 0.129086, 0.006363, 0.712418, 0.049298, 0.359477, 0.024875)
XP	(0.001926, 0.019325, 0.000700, 0.363636, 0.036253, 0.000000, 0.000000)
ZE	(0.000350, 0.129086, 0.000233, 0.666666, 0.001809, 0.000000, 0.000000)
XY	$(P(X), P(Y), P(XY), P(XY X), P(XY Y), P(YX Y), P(YX X))$
EA	(0.129086, 0.077125, 0.011384, 0.088195, 0.147615, 0.000452, 0.000757)
EC	(0.129086, 0.028491, 0.005721, 0.044323, 0.200819, 0.043419, 0.196721)
ES	(0.129086, 0.056690, 0.010392, 0.080506, 0.183316, 0.075531, 0.171987)
HA	(0.057449, 0.077125, 0.011501, 0.200203, 0.149129, 0.005081, 0.003785)
IT	(0.071987, 0.093647, 0.012786, 0.177615, 0.136533, 0.117599, 0.090399)
LY	(0.040226, 0.022711, 0.005196, 0.129172, 0.228791, 0.007256, 0.012853)
ME	(0.032870, 0.129086, 0.008465, 0.257548, 0.065581, 0.172291, 0.043871)

XY	$(P(X), P(Y), P(XY), P(XY X), P(XY Y), P(YX Y), P(YX X))$
AR	(0.077125, 0.056749, 0.007998, 0.103709, 0.140946, 0.067373, 0.091563)
AS	(0.077125, 0.056690, 0.009458, 0.122634, 0.166838, 0.047691, 0.064881)
AT	(0.077125, 0.093647, 0.010333, 0.133989, 0.110349, 0.078728, 0.064837)
BJ	(0.016756, 0.000934, 0.000175, 0.010452, 0.187500, 0.000000, 0.000000)
CK	(0.028491, 0.004670, 0.001050, 0.036885, 0.225000, 0.006147, 0.037500)
EF	(0.129086, 0.028900, 0.003853, 0.029850, 0.133333, 0.023066, 0.103030)
EW	(0.129086, 0.020784, 0.004028, 0.031207, 0.193820, 0.017639, 0.109550)
LE	(0.040226, 0.129086, 0.006714, 0.166908, 0.052012, 0.142235, 0.044323)
ON	(0.074731, 0.065565, 0.011676, 0.156250, 0.178094, 0.078906, 0.089937)
NT	(0.065565, 0.093647, 0.010801, 0.164737, 0.115336, 0.008014, 0.005610)
PE	(0.019325, 0.129086, 0.003970, 0.205438, 0.030755, 0.157099, 0.023518)
ST	(0.056690, 0.093647, 0.010042, 0.177136, 0.107231, 0.060762, 0.036783)
TE	(0.093647, 0.129086, 0.008932, 0.095386, 0.069199, 0.084788, 0.061510)
TO	(0.093647, 0.074731, 0.011384, 0.121571, 0.152343, 0.046134, 0.057812)
VI	(0.008932, 0.071987, 0.001693, 0.189542, 0.023519, 0.124183, 0.015409)
WA	(0.020784, 0.077125, 0.004495, 0.216292, 0.058289, 0.025280, 0.006813)
WH	(0.020784, 0.057449, 0.004612, 0.221910, 0.080284, 0.019662, 0.007113)
WI	(0.020784, 0.071987, 0.004845, 0.233146, 0.067315, 0.044943, 0.012976)
XT	(0.001926, 0.093647, 0.000350, 0.181818, 0.003740, 0.000000, 0.000000)
ZY	(0.000350, 0.022711, 0.000058, 0.166666, 0.002570, 0.000000, 0.000000)
XY	$(P(X), P(Y), P(XY), P(XY X), P(XY Y), P(YX Y), P(YX X))$
AD	(0.077125, 0.044722, 0.006130, 0.079485, 0.137075, 0.059046, 0.101827)
AL	(0.077125, 0.040226, 0.007181, 0.093111, 0.178519, 0.061317, 0.117561)
BL	(0.016756, 0.040226, 0.002860, 0.170731, 0.071117, 0.013937, 0.005805)
CH	(0.028491, 0.057449, 0.004670, 0.163934, 0.081300, 0.004098, 0.002032)
CO	(0.028491, 0.074731, 0.004145, 0.145491, 0.055468, 0.045081, 0.017187)
DI	(0.044722, 0.071987, 0.006714, 0.150130, 0.093268, 0.045691, 0.028386)
FT	(0.028900, 0.093647, 0.004145, 0.143434, 0.044264, 0.028282, 0.008728)
GE	(0.017106, 0.129086, 0.002160, 0.126279, 0.016734, 0.078498, 0.010402)
GH	(0.017106, 0.057449, 0.002802, 0.163822, 0.048780, 0.017064, 0.005081)
HI	(0.057449, 0.071987, 0.008815, 0.153455, 0.122465, 0.017276, 0.013787)
IR	(0.071987, 0.056749, 0.002860, 0.039740, 0.050411, 0.075425, 0.095679)
IS	(0.071987, 0.056690, 0.007356, 0.102189, 0.129763, 0.073803, 0.093717)
OM	(0.074731, 0.032870, 0.006013, 0.080468, 0.182948, 0.050000, 0.113676)
OR	(0.074731, 0.056749, 0.008874, 0.118750, 0.156378, 0.091406, 0.120370)
OS	(0.074731, 0.056690, 0.003794, 0.050781, 0.066941, 0.078906, 0.104016)
PO	(0.019325, 0.074731, 0.003678, 0.190332, 0.049218, 0.054380, 0.014062)
PR	(0.019325, 0.056749, 0.002627, 0.135951, 0.046296, 0.048338, 0.016460)
UR	(0.027498, 0.056749, 0.004437, 0.161358, 0.078189, 0.055201, 0.026748)
UT	(0.027498, 0.093647, 0.004612, 0.167728, 0.049251, 0.070063, 0.020573)

XY	0.0010	0.0050	0.0100	0.0150	0.0200
BE	BE		KE, ME	PE	
ED	ED		OF		
EQ	EQ				
EX	EX				
HE	HE				
IN	IN		AN, ND	MY, ON	
IZ	IZ				
JE	JE				
JU	JU	XP		WH, WI	KE, WA, XC
KE	KE		BE		JU, XP
MY	MY		ND	IN	AN, LY, OU
NG	NG				
OF	OF		ED		
OU	OU		LY, ND	AV, CK	AN, MY, NQ
QU	QU				
RE	RE				ME
TH	TH				
VE	VE				
XP	XP	JU			KE
ZE	ZE				
XY	0.0010	0.0025	0.0050	0.0075	0.0100
EA	EA			NC	EI, IC, TO, TW
EC	EC		EL, EP, ES	EM	EW
ES	ES		EC, EL	AL, EN	EM, EP, OM, OR, TI
HA	HA		HI, NT	AN, CH, ST, WH	DI
IT	IT		AT, ON	OR, ST	AR, IS, LL, RO, SE
LY	LY		ND	OU	AN, CK
ME	ME		PE	BE, CE	LE, SE

XY	0.0010	0.0020	0.0030	0.0040	0.0050
AR	AD, AR, IS	OR	AL, AS, TO	OM	AT, ON
AS	AS, TO		AR, ON	IS	AD, AL
AT	AT			IS, SO, ST, TO	AR, DI, IT, TE
BJ	BJ		NZ	CK, OZ	AZ, DB, NQ
CK	CK		AV	BJ	NQ
EF	EF			EW, IG	AC, AG, AP, EG
EW	EW			EF	
LE	LE			PE, SE	CA, CE
ON	ON		AS	OR	AR, IT, TO
NT	HI, NT		HA	CH, DI	ST
PE	PE		CE	LE	ME, VI
ST	ST	DI		AT, HI, UR	NT, UT
TE	TE			TT	AT, SO
TO	AS, TO		AR	AT, IS	ON
VI	VI			KN	CA, KI, PE, UT
WA	WA, WH, WI	PO		BL, GH	CH, UT
WH	WA, WH	WI		BL, CH, PO	GH
WI	WA, WI	WH	PO		
XT	XT				FT, GH, XC
ZY	XC, ZY			GH	
XY	0.0010	0.0015	0.0020	0.0025	0.0030
AD	AD, AR	IS		AL, OM	AC
AL	AL, OM			AD, OR	AR
BL	BL, CH, GH				UR
CH	BL, CH	GH			
CO	CO, FT, PR	UR	DI, GH, UT, YA	FI, MA, PO	CT
DI	DI, UR		CO, ST	HI	
FT	CO, FT		CT, DT, PR	GH	FA, UT, YA
GE	GE				YT
GH	BL, GH	CH	CO, PR	FT, PO	UR
HI	HI, NT			DI	
IR	IR, OS		IL, OL, TR	IF, OH	LU, SS
IS	AR, IS	AD		OR	
OM	AL, OM			AD	
OR	OR		AR	AL, IS	
OS	IL, IR, OS		SS	OL	AM, IF, TR
PO	PO	UT	WA	CO, GH, UR, WI	
PR	CO, PR	YA	FI, FT, GH, UR	BU, MA, UL	FA, FR, GR, UT, YS
UR	DI, UR	CO	PR	PO, UT	BL, GH, MA, US
UT	UT	PO	CO, MA	UR	FT, PR